



# MULTI DRUM TURNER

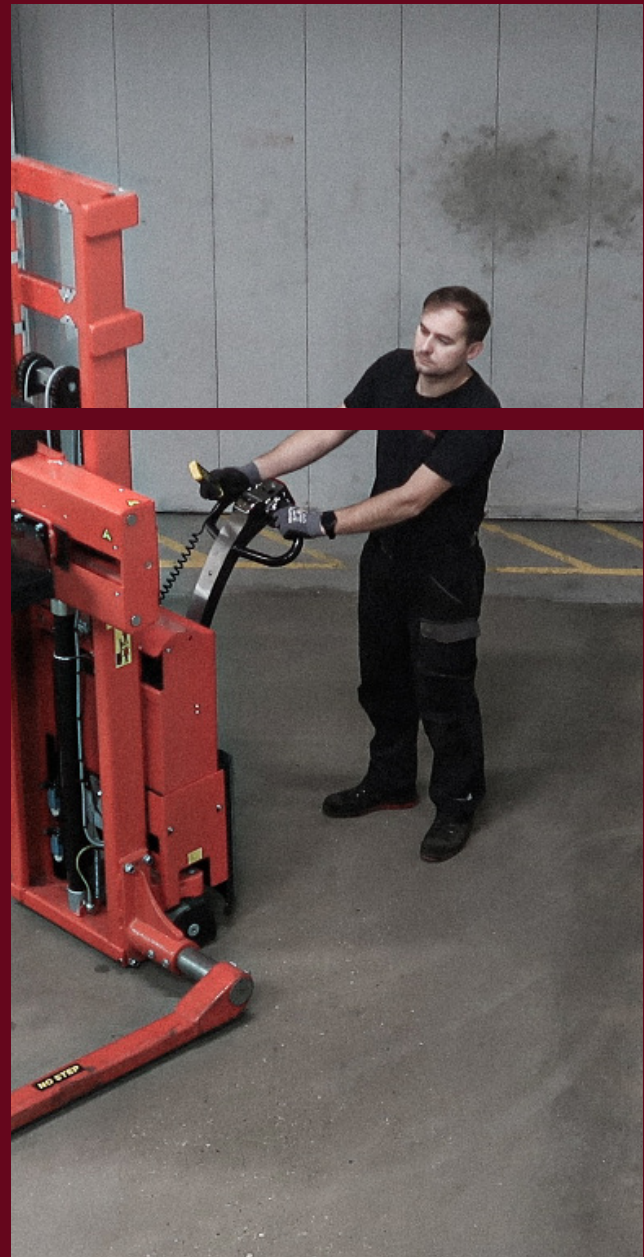
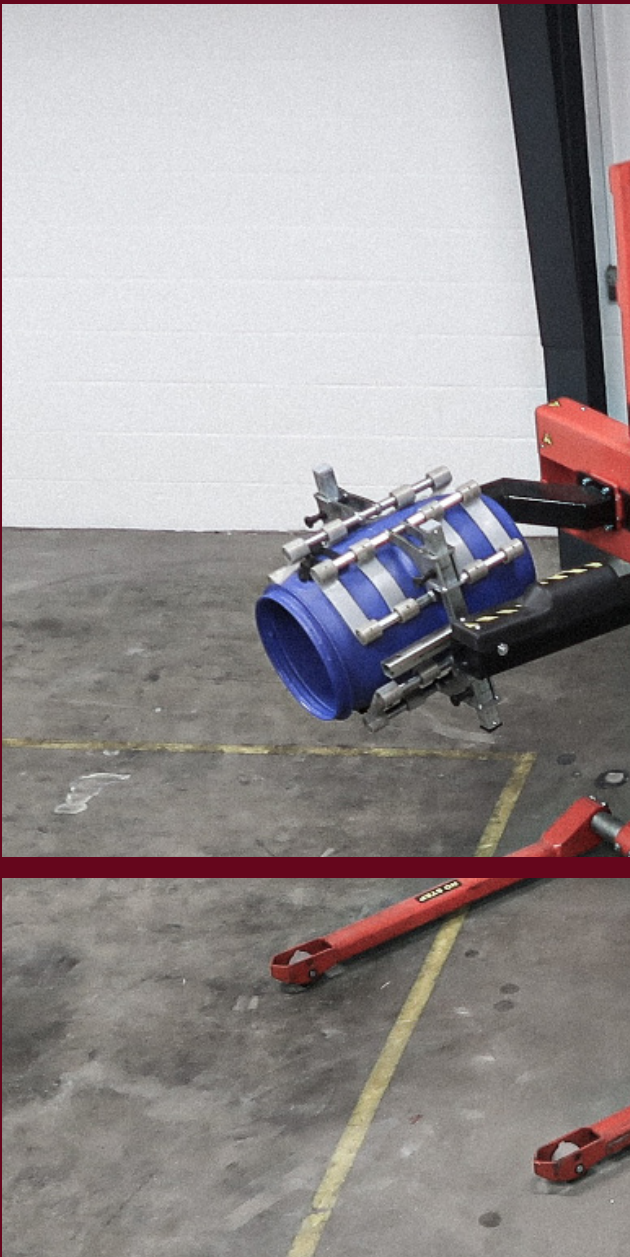
ELFMDT/ELFSMDT - SELFMDT/SELFSMDT - QDTA



MULTI DRUM TURNER

MULTI DRUM TURNER INOX

DRUM TURNER - MANUAL OR ELECTRIC



## Multi drum turner - lift, turn and transport

**With the multi drum turner you can lift, turn and transport various drums of all shapes and sizes**

The multi drum turner has two major advantages: it improves efficiency; and it reduces manual material handling.

To **improve efficiency**, you need to do more with less. With the multi drum turner, what once took two or more workers can now be done by clicking a button. With the attached remote control, you can handle the drums safely and precisely. In addition, it is constructed with adjustable grippers, which makes it possible to handle many different dimensions with one machine. Less **manual material handling** is good for your performance and the

wellbeing of your workers. Besides being slow and inefficient, it is also exhausting and unsafe for your workers to manually lift and handle heavy drums. The multi drum turner always comes with electrical clamping, lifting and rotation, and has several safety features and an ergonomic design.

The multi drum turner is well suited for various industries, such as pharmaceutical, cosmetics and food. And if you have special requests, we can also modify it to fit your specific situation.



Specially developed polyurethane gripping pads

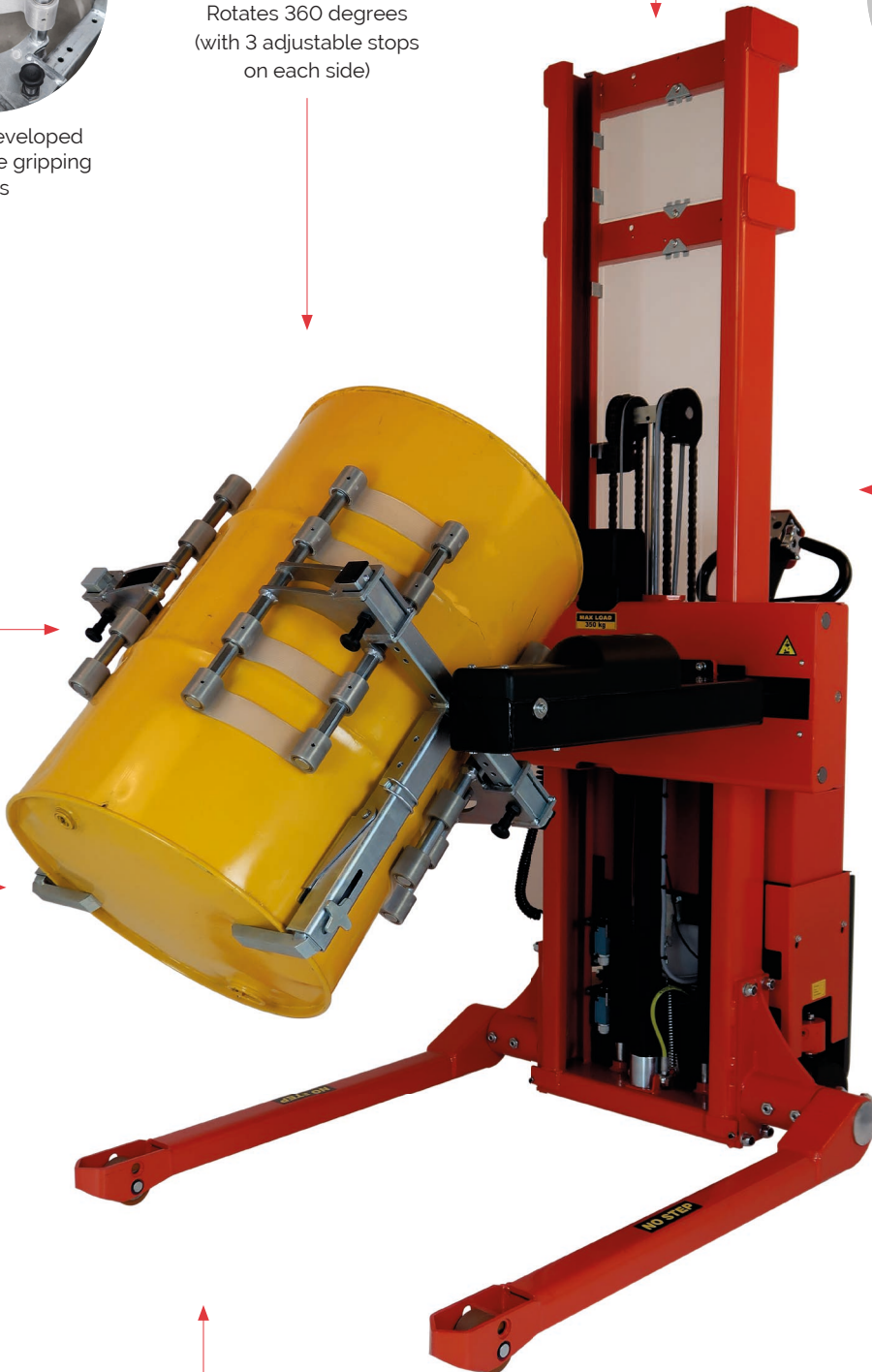
Handles steel, plastic, small, low, high, square, round drums, from Ø11,75 to Ø23,6 inch

Rotates 360 degrees (with 3 adjustable stops on each side)

Secured against opening by mistake (two-button-function)

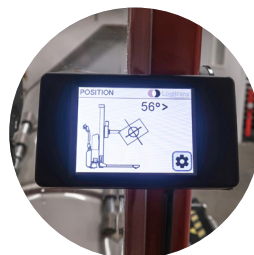


Remote control for electric clamping, lifting, lowering, and rotation



Safety clamps

Available with or without straddle legs



Intuitive screen to preset rotation angles and speed

Foot protectors and shielded chains



Ergonomically correct handle

## Multi Drum Turner

The multi drum turner is available in an electric "push behind" version and a fully powered version, however regardless of the movement, it always comes with electrical rotation, lifting and clamping.

This protects the worker from unnecessary physical strain, and ensures precise, safe and efficient drum handling.

Both versions are available with straddle legs, which allows it to grab drums from closed pallets.

*We use a special oil for all products, which is tested in cold atmospheres down to at least -10 degrees C.*

## Multi Drum Turner inox

Some work environments require equipment with a high hygienic level. For such situations, we offer our multi drum turner in stainless steel as a customized solution.

The machine is built in high quality stainless steel to avoid bacterial contamination.

Our multi drum turner inox is made for dry and clean environments

\*Please refer to our Inox brochure for more information.

*We use a special oil for all products, which is tested in cold atmospheres down to at least -10 degrees C.*

## Drum turner – manual or electric

If you handle standard measured drums and only handle one type of drums, our Logiflex drum turner is a good match for you.

This drum turner can handle standard steel drums (DS/EN 210) and standard plastic drums (DS/EN 12707) in an ergonomic, safe and efficient way.

The manual drum turner is a part of our quick shift program for our Logiflex series. This means you can replace the drum turner with a boom, platform, crane arm, drum forks or regular forks.

*We use a special oil for all products, which is tested in cold atmospheres down to at least -10 degrees C.*

### STANDARD FEATURES

#### Electric

- ✓ Hand brake
- ✓ Remote control
- ✓ Foot protector

#### Fully powered

- ✓ Motor brake
- ✓ Remote control
- ✓ Foot protector



## Work in practice

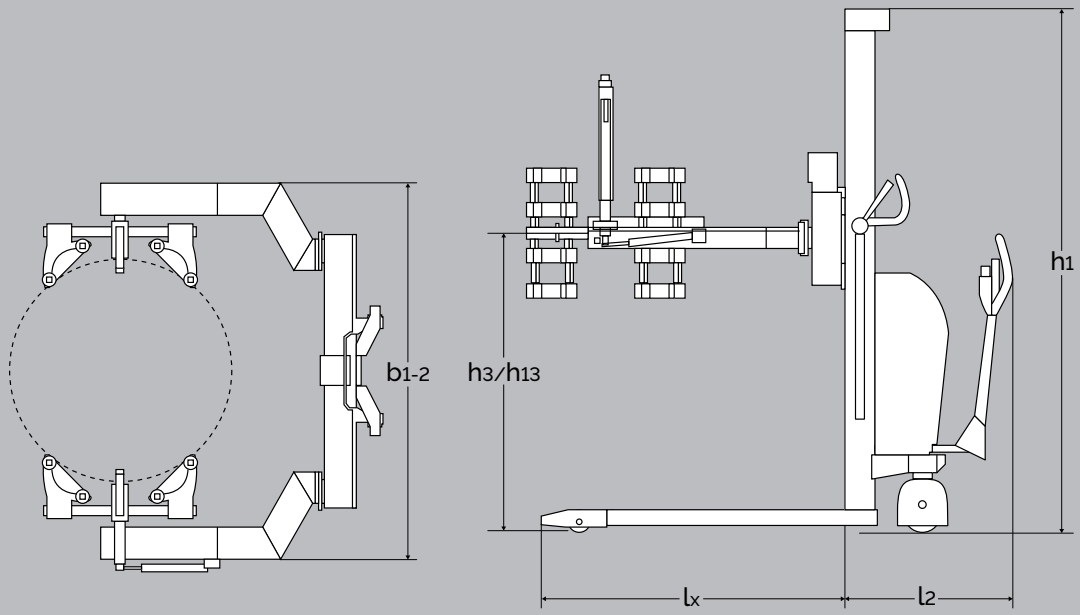
Flexibility is one of our core values at Interthor, and the multi drum turner is a great example hereof. Not only is it perfect for handling various drums – the clamps can also grab around other elements, and the multi drum turner is therefore applicable in numerous situations.

If you have a unique situation that requires a special solution, we can also customize the machine to match your needs 100%.

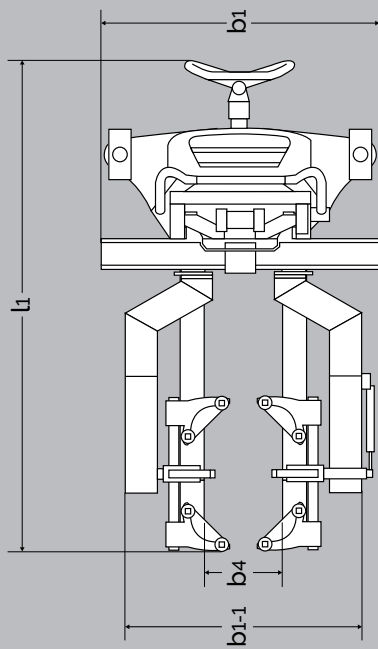
For instance, we have helped customers handle:

- **Garbage bins**
- **Heavy train wheels**
- **Car tires** (4 at the time)
- **Metal cabinets**
- **Big coils** in the aircraft industry
- **Large plastic** Palox
- **Ingredients** for spice productions

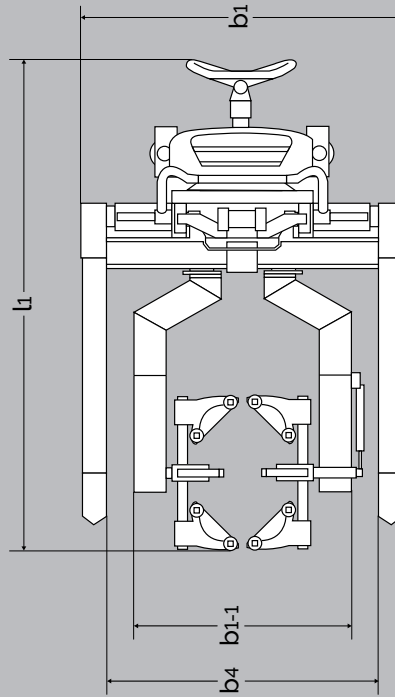




**ELFMDT / ELFSMDT**



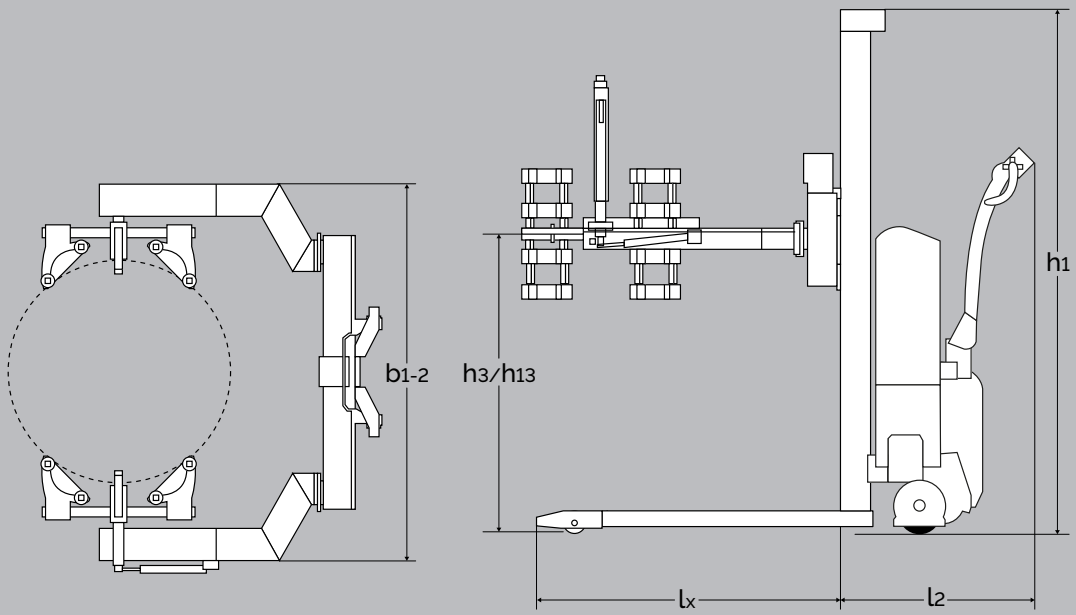
**ELFMDT**



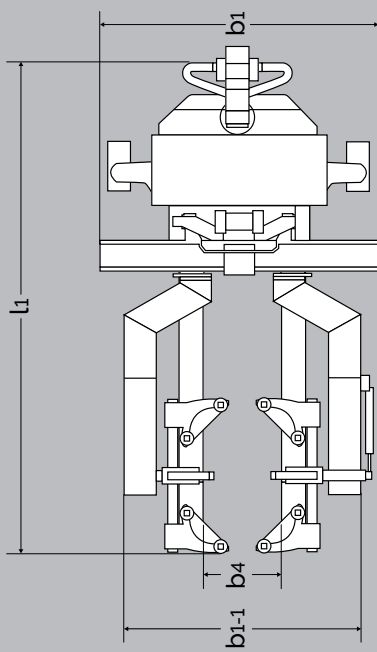
**ELFSMDT**

PRODUCT (measured in inch)	ELFMDT 1001	ELFMDT 1001	ELFSMDT 1001	ELFSMDT 1001	
Capacity i lbs	770 lbs	770 lbs	770 lbs	770 lbs	
Drum diameter	Ø11.75 to Ø23.6				
Lifting height	$h_3$	70	82	70	82
Rotation function	360°		360°		
Overall height	$h_1$	76	88	76	88
Overall width	$b_1$	39.5		6.5 + $b_4$	
Overall width arms min.	$b_{1-1}$	31.5		31.5	
Overall width arms max.	$b_{1-2}$	55		55	
Length without carriage	$l_2$	23.25		23.25	
Overall length	$l_1$	72		72	
Lowered height	$h_{13}$	15.75		15.75	
Width between legs	$b_4$	12.45		33.5 - 37, 37 - 44.25, 44.25 - 51.5, 49 - 56	
Run-in length	$l_x$	43		43	
Turning angle of the wheels	180°		180°		
Pump motor	1.1 kW 12 V				
Lifting speed with/without load	2 / 2.75" per sec				
Lowering speed with/without load	4.75" per sec. / 2.75" per sec				
Weight in lbs (no battery)	1026 lbs	1043 lbs	1114 lbs	1131 lbs	

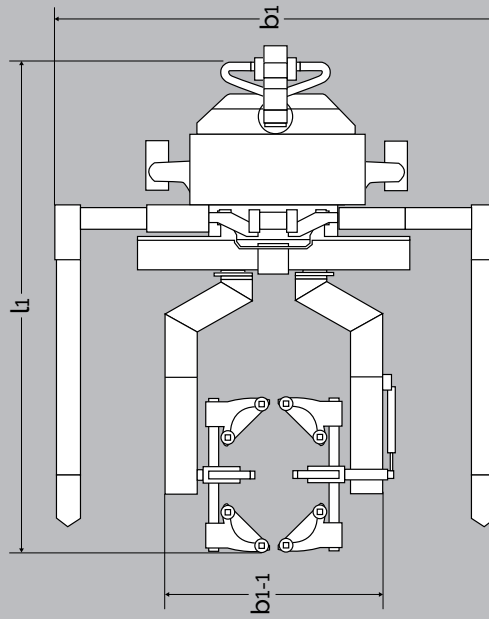
SPECIFICATIONS - MULTI DRUM TURNER ELFMDT + ELFSMDT



SELFMDT / SELFSDMT



SELFMDT

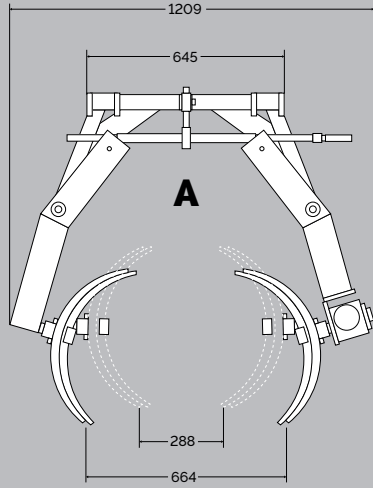


SELFSDMT



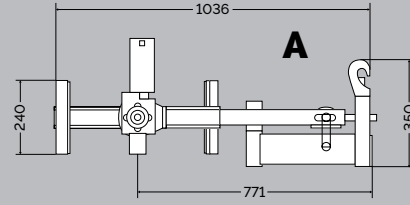
PRODUCT (measured in inch)		SELFMDT	SELFMDT	SELSMDT	SELSMDT
Capacity i lbs		770 lbs	770 lbs	770 lbs	770 lbs
Drum diameter		Ø11.75 to Ø23.6			
Lifting height	$h_3$	70	82	70	82
Rotation function		360°		360°	
Overall height	$h_1$	76	88	76	88
Overall width	$b_1$	39.5		6.5 + $b_4$	
Overall width arms min.	$b_{1-1}$	31.5		31.5	
Overall width arms max.	$b_{1-2}$	55		55	
Length without carriage	$l_2$	23.8		23.8	
Overall length	$l_1$	72		72	
Lowered height	$h_{13}$	15.75		15.75	
Width between legs	$b_4$	12.45		33.5 - 37, 37 - 44.25, 44.25 - 51.5, 49 - 56	
Run-in length	$l_x$	43		43	
Turning angle of the wheels		210°		210°	
Driving motor		1,2 kW 24 V speed control electronically variable			
Driving speed with/without load		Below 19.5" lift: 3.1/3.7 mph, over 19.5" lift: 1.8/2.4 mph			
Pump motor		1,2 kW 24 V			
Lifting speed with/without load		2.75" per sec. / 4.75" per sec			
Lowering speed with/without load		2.75" per sec./4.75" per sec			
Weight in lbs (no battery)		1103 lbs	1120 lbs	1191 lbs	1208 lbs

SPECIFICATIONS - MULTI DRUM TURNER SELFMDT + SELSMDT



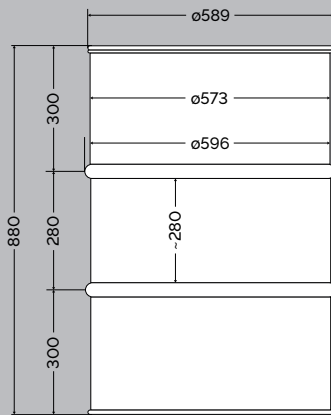
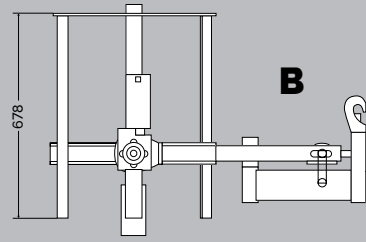
**A**

Drum turner for standard steel drums (DS/EN 210).

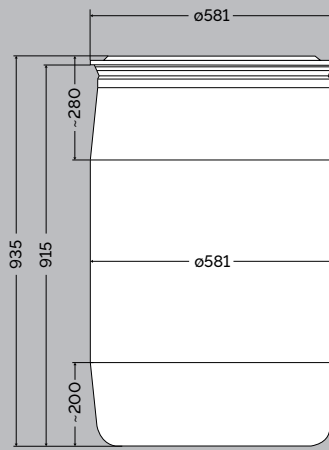


**B**

Drum turner for standard plastic drums (DS/EN 12707).

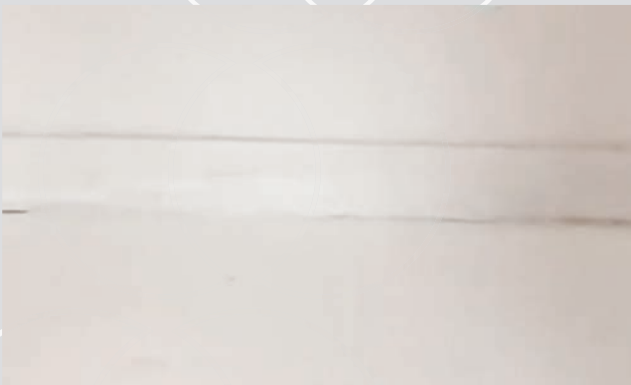


Standard steel drum (DS/EN 210).



Standard plastic drum (DS/EN 12707).

<b>PRODUCT</b> (measured in inch)	<b>MANUAL</b> <b>(EN 210)</b>	<b>ELECTRIC</b> <b>(EN 210)</b>	<b>MANUAL</b> <b>(EN 12707)</b>	<b>ELECTRIC</b> <b>(EN 12707)</b>
Capacity i lbs	550 lbs	550 lbs	550 lbs	550 lbs
Turning angle	360°	360°	360°	360°
Gear	Manual	12V-200W/24V-200W	Manual	12V-200W/24V-200W
Gearing	1:80	1:912	1:80	1:912
Speed of rotation		1,6 rpm/min		1,6 rpm/min
Distance from floor to drum turner	10.25	10.25	10.25	10.25



## Quality **Ergonomic** Lifting Equipment

**Logitrans US Inc**

(888) 345-1270

[sales@logitrans.com](mailto:sales@logitrans.com)

[www.logitrans.com](http://www.logitrans.com)

