

## Stainless Logitilt - when lifting and tilting hygienically

Optimum hygiene - with the stainless Logitilt the risk of bacterial contamination is minimised.

The products are developed for environments where severe hygiene is needed on the surfaces that are in direct contact with the goods being handled, e.g. meat, fish or medicine.

The design focuses on the safety and ergonomic working conditions of the user - the Logitilt can tilt boxes and crates up to 90°. The user does not have to bend down or stretch up to reach the components in the bottom of the crate or box - this applies to both standing and sitting work positions.

The tilting degree can be set, so that the Logitilt automatically stops in the same angle each time.

High quality is ensured through an extended test programme and in cooperation with experts in Health and Safety.



### Technical Specifications

The Logitilt can carry, lift and tilt crates and boxes up to 90°, and the working height can be varied.

The tilting degree can be set, so that the Logitilt automatically stops in the same angle each time.

Easy to clean and optimum resistance

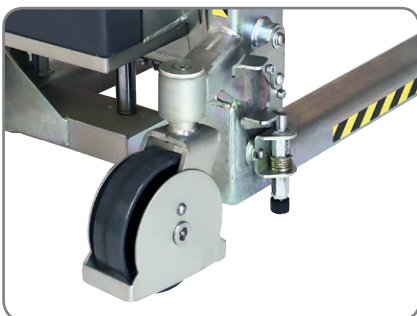
- acid-resistant and electric polished fork chassis
- strong surface
- corrosion resistant
- IP44

Long operating life and low maintenance costs

- strong construction
- AISI316L steel used on the fork chassis



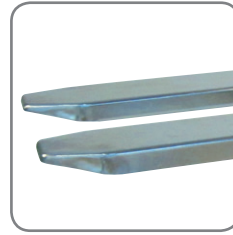
For the food industry in which hygiene and ergonomically correct working positions are important factors.



Foot protectors, parking brake, safety valve and emergency stop offer the operator optimum safety.



Remote control for the tilt function.

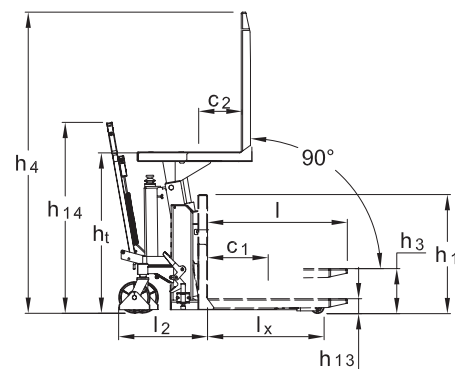
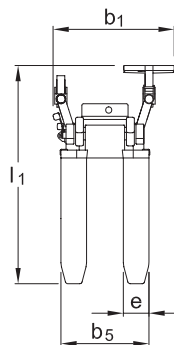


Closed forks mean easy cleaning and few hiding places for bacteria.



The handle can be turned to the side and locked, so that the user has free access to the contents of the crate or box.

| Product (measured in mm)                 | LT 1001TE RF-SEMI |                     |
|--|-------------------|---------------------|
| Capacity in kg                           | 1000              |                     |
| Height, tilted                           | $h_t$             | 750-950             |
| Lifting height                           | $h_3$             | 275                 |
| Fork length                              | $l$               | 800                 |
| Overall height with handle               | $h_{14}$          | 1090                |
| Overall height                           | $h_1$             | 680                 |
| Overall width                            | $b_1$             | 780                 |
| Fork span                                | $b_5$             | 560                 |
| Fork width                               | $e$               | 163                 |
| Overall length by 800 mm forks           | $l_1$             | 1410                |
| Length without forks                     | $l_2$             | 590                 |
| Run-in length                            | $l_x$             | 665                 |
| Overall height                           | $h_4$             | $h_t + 1$           |
| Lowered height                           | $h_{13}$          | 85                  |
| Load centre                              | $c_1$             | max. $l/2$          |
| Load centre                              | $c_2$             | min. 200 - max. 420 |
| Pump motor                               | 0,8 KW 12V        |                     |
| Lifting speed lift/tilt                  | 4 s/14 s          |                     |
| Lowering speed lift/tilt                 | 3 s/11 s          |                     |
| Weight by 800 mm forks (without battery) | 173 kg            |                     |



Please ask for specification details or visit our website [www.logitrans.com](http://www.logitrans.com). We also offer tailor-made solutions.