



Logitrans
lifting performance



LOGIFLEX STACKERS

LF/LFS - ELF/ELFS
SELF/SELFS MINI - SELF/SELFS MAXI



MANUAL LOGIFLEX

ELECTRIC LOGIFLEX

FULLY POWERED LOGIFLEX MINI

FULLY POWERED LOGIFLEX MAXI



Logiflex – the stacker constructed to lift up your work

Our Logiflex series of high-quality stackers is designed to make material handling smooth, easy and efficient

With Logiflex stackers you get a very flexible solution to lift and transport different items on pallets.

Our stackers are available in manual, semi electric and fully powered versions, as well as with fork over or straddle legs. The manual and semi electric versions also come in stainless steel.

Common for all is the very strong and compact design, low own

weight and easy operation, which means the stackers work very well in narrow spaces.

This is often an advantage our customers value very much. In addition, the stackers can drive with the handle in upright position.

Another important feature in terms of flexibility is the adjustable fork carriage. This allows you to switch between different

attachments for your Logiflex, and in this way, you can solve different material handling tasks with one machine.

The Logiflex stackers work well across all types of industries and companies – and your specific situation determines the degree of automation you need.

We can also customize the products to meet your exact needs.

Very solid construction to ensure long operating life

Option for models with electric lift: Remote control - with 8 inches lowering safety precaution

Instant stop (forks stops quickly and precisely)

Transparent safety screen

Compact design and easy to maneuver

Anti crush button (for models with electric propulsion)

Control buttons centrally placed

Internal charger and battery hour deck



Rear cover in metal to avoid breaking



Foot protectors and shielded chains



Ergonomically correct handle with emergency stop

Manual Logiflex (LF/LFS)

If you need a solution to lift and/or transport pallets to a limited extent, the manual Logiflex is a good choice.

This model has manual propulsion and pumping (lifting and lowering), and therefore it is recommended for light weight lifting, or when you only need to use the function on weekly basis.

The manual Logiflex has several safety features to protect the operator and the surroundings. The low building height ensures a good view, while operating the machine.

The ergonomically correct handle ensures a proper grip and the shielded chains and foot protectors by the steering wheels also keep the operator safe. It also has assisted steering on the wheels for easy operation.

The capacity of the manual Logiflex stacker is 2200 lbs.

We use a special oil for all products, which is tested in cold atmospheres down to at least -10 degrees C.

Semi electric Logiflex (ELF/ELFS)

The semi electric Logiflex is a good match if you need to lift, stack or transport heavy pallets on a daily basis.

This model has manual propulsion and electrical pumping (lifting and lowering), which allow you to lift and stack pallets with heavy loads (up to 3000 lbs) with little physical efforts.

In addition, it has assisted steering on both wheels, which makes is very easy to operator. This is an important feature with manual propulsion, to protect to operator from physical strain.

The strong construction ensures a long operating life with low maintenance costs, which gives you a solid and reliable solution for your material handing processes.

The electric Logiflex is available with a remote control for lifting and lowering, as well as with level control to ensure correct working height for your working station.

Safety for the operator is always a top priority of our products - see page 3 for all safety features.

The capacity of the semi electric Logiflex stacker is up to 3000 lbs.

We use a special oil for all products, which is tested in cold atmospheres down to at least -10 degrees C.

AVAILABLE WITH

- ✓ Different fork styles
- ✓ Fork over
- ✓ Straddle legs
- ✓ Different lifting heights
35-65 inches (with or without telescopic mast)
- ✓ Remote control
- ✓ Level control
- ✓ Stainless steel

STANDARD FEATURES

- ✓ Hand brake
- ✓ Foot protector

AVAILABLE WITH

- ✓ Different fork styles
- ✓ Fork over
- ✓ Straddle legs
- ✓ Different lifting heights
35-130 inches (with or without telescopic mast)
- ✓ Remote control
- ✓ Level control
- ✓ Stainless steel

STANDARD FEATURES

- ✓ Hand brake
- ✓ Foot protector

Manual Logiflex (LF/LFS)



Semi electric Logiflex (ELF/ELFS)

Fully powered Logiflex Mini (SELF MINI/SELFS MINI)

The fully powered Logiflex Mini is a perfect match for smaller storage and shopping areas with shorter distances, less operation frequency or lighter weight loads.

It has electrical propulsion and pumping (lifting and lowering), which means you can lift, stack and transport pallets with little physical efforts.

This increases the efficiency of your material handling processes and creates a more productive working environment.

The electric propulsion makes the stacker easy to operate and the multi flex feature, which allows you to drive with the handle upright, enables operation in confined areas.

In addition to our standard safety features - see page 3 - our Logiflex Mini is equipped with user-friendly AC-technology (Curtis controller) for speed and acceleration settings.

The capacity of the fully powered Logiflex Mini is 2200 lbs.

We use a special oil for all products, which is tested in cold atmospheres down to at least -10 degrees C..

Fully powered Logiflex Maxi (SELF MAXI/SELFS MAXI)

With the fully powered Logiflex Maxi, you get a powerful machine with a long operation time per charge - also with heavy loads, long distances and frequent use.

The Logiflex Maxi has electrical propulsion and pumping (lifting and lowering), which means you can lift, stack and transport pallets with heavy loads with little physical efforts. It has a very strong construction and a large battery, and the maintenance costs are at a minimum.

If you need to transport pallets in long distances, or lift and stack pallets with heavy loads frequently, we highly recommend this solution. It provides a high level of efficiency, flexibility and safety for the operator as well as the surroundings. See page 3 for all safety features.

Despite its strength and durability, the Logiflex Maxi also has a compact design and easy operation. It has a soft acceleration and precise movements, and with the Curtis controller you can easily pre-set speed, acceleration and deceleration.

The capacity of the fully powered Logiflex Maxi is up to 3000 lbs*.
*3000 lbs only up to 62 inches lifting height.

We use a special oil for all products, which is tested in cold atmospheres down to at least -10 degrees C.

AVAILABLE WITH

- ✓ Different fork styles
- ✓ Fork over
- ✓ Straddle legs
- ✓ Different lifting heights
35-65 inches (with or without telescopic mast)
- ✓ Remote control
- ✓ Level control
- ✓ Stainless steel

STANDARD FEATURES

- ✓ Motor brake
- ✓ Foot protector

AVAILABLE WITH

- ✓ Different fork styles
- ✓ Fork over
- ✓ Straddle legs
- ✓ Different lifting heights
35-130 inches (with or without telescopic mast)
- ✓ Remote control
- ✓ Level control
- ✓ Stainless steel

STANDARD FEATURES

- ✓ Motor brake
- ✓ Foot protector

Fully powered Logiflex Mini (SELF MINI/ SELFS MINI)



Fully powered Logiflex Maxi (SELF MAXI/SELFS MAXI)

Quick shift attachments

Some of our Logiflex models are available with the adjustable fork carriage to switch between different attachments. This allows you to use the Logiflex stacker for multiple purposes.



Drum forks
Handling of horizontal drums or reels



Fork styles
Different fork styles for different pallets



Boom
Transporting reels in horizontal position



Platform
Carrying different kinds of goods, also non-palletised goods

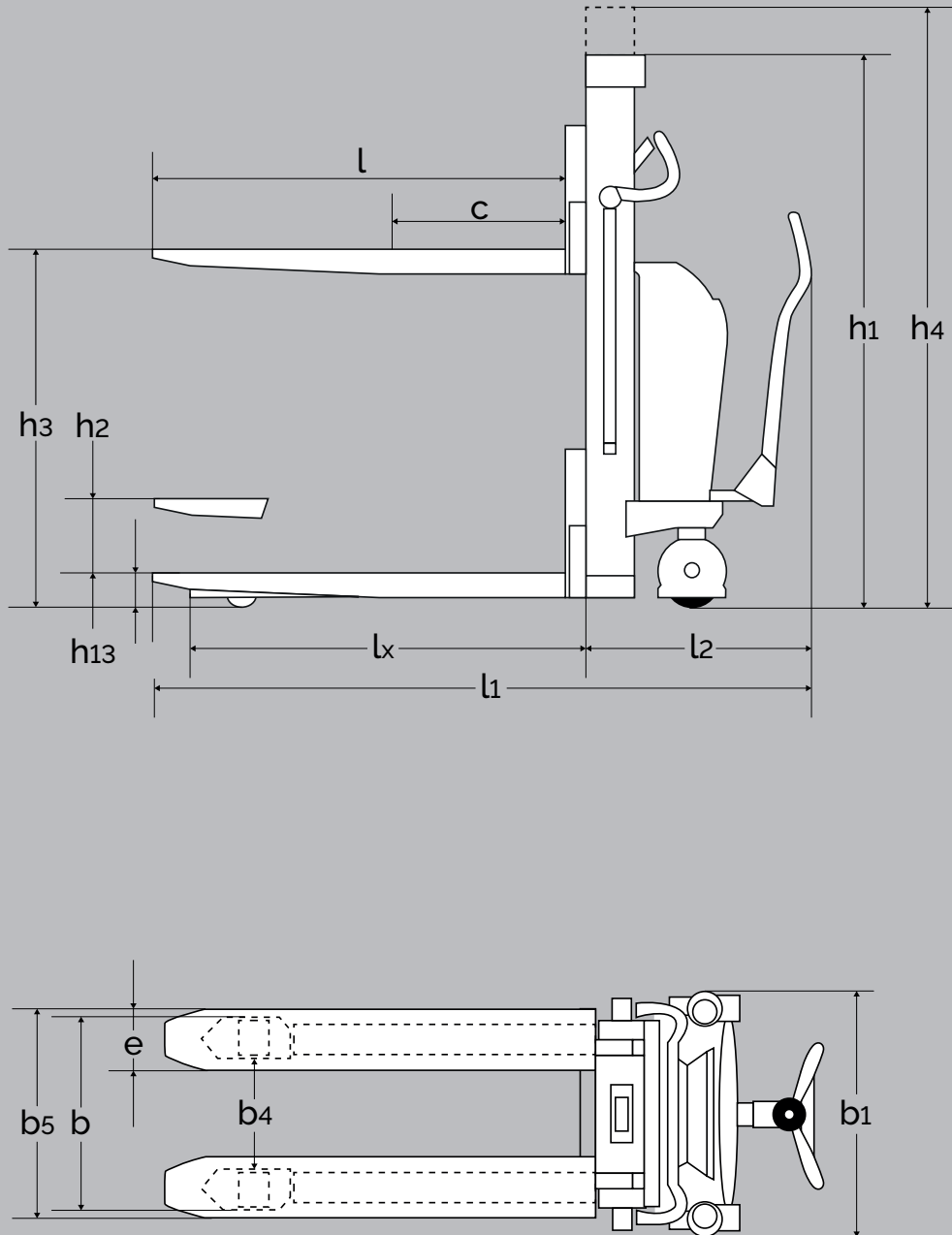


Crane arm
Lifting and transporting items with a hook



Drum Turner
Handling standard steel and plastic drum





PRODUCT
(measured in inch)

LF MINI

LF MINI

ELF

ELF

ELF

ELF

ELF

ELF

ELF

ELF

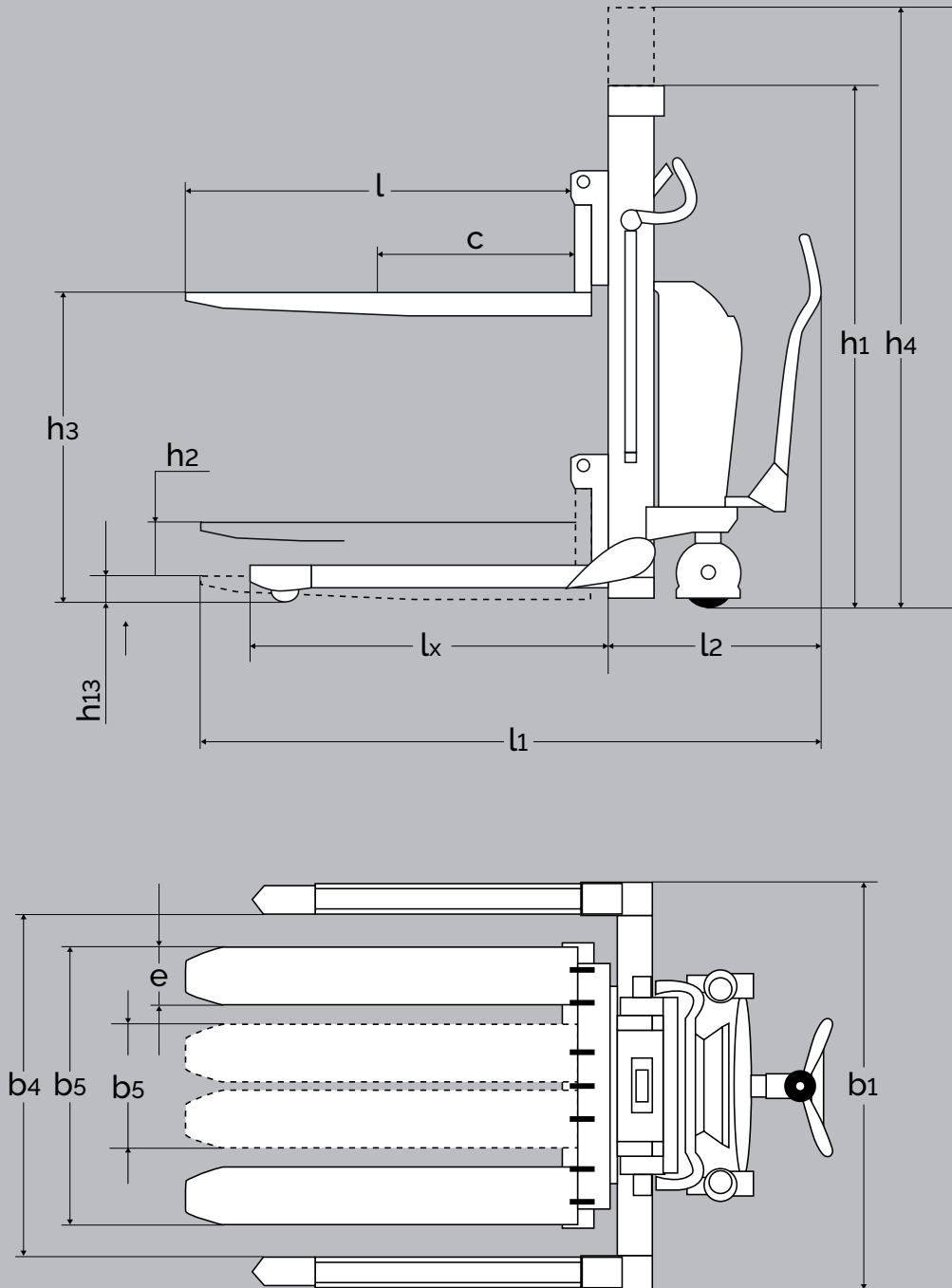
ELF

ELF

SPECIFICATIONS - LOGIFLEX LF MINI + ELF

| | | | | | | | | | | | | | | | | |
|---|----------|--|----------|--------------|---------------------------------------|---|----------|----------|----------|----------|----------|----------|------------------------------|-----------------------|---|--|
| Adjustable fork carriage ¹ | | ● | ● | ● | ● | | | | | | | | | | | |
| Fixed forks ¹ | | | | | | ● | ● | ● | ● | ● | ● | ● | ● | ● | ● | |
| Capacity in lbs | | 2200 lbs | 2200 lbs | 3000 lbs | 3000 lbs | 3000 lbs | 3000 lbs | 2200 lbs | 2200 lbs | 2200 lbs | 2200 lbs | 2200 lbs | 2200 lbs ³ | 2200 lbs ³ | | |
| Lifting height | h_3 | 36 | 65 | 36 | 65 | 36 | 47 | 55 | 63 | 75 | 80 | 96 | 112 | 130 | | |
| Fork length | l | 42, 45 | | 42, 45 | | 23.5 ⁴ , 31.5 ⁴ , 45, 60 ⁵ | | | | | | | | | | |
| Overall height | h_1 | 52.5 | | 52.5 | | 60 | 68 | 76 | 88 | 60 | 68 | 76 | 88 | | | |
| Chassis span | b | 22, 27 | | 22, 27 | | 22, 27 | | | | | | | | | | |
| Overall width | b_1 | 27 | | 27 | | | | | | | | | 36.75 | | | |
| Width between legs | b_4 | 12.45, 17.20 | | 12.45, 17.20 | | | | | | | | | | | | |
| Fork span - wrap-over ² | b_5 | 13.8-22 | | | | 22 | | | | | | | | | | |
| Length without forks | l_2 | 16.35 | | | 23.25 | | | | | | | | | | | |
| Overall length with 45 forks | l_1 | 66 | 66.25 | 71 | | | | | | | 71.25 | | | | | |
| Telescopic mast | | | ● | | ● | | | | | | ● | ● | ● | ● | | |
| Overall height | h_4 | 52.5 | 79.75 | 52.5 | 79.75 | 52.5 | 60 | 68 | 76 | 88 | 98 | 114 | 130 | 148 | | |
| Lowered height - wrap-over ² | h_{13} | 3.35 | | | | 3.5 | | | | | | | | | | |
| Load centre | c | L/2 | | | | | | | | | | | | | | |
| Fork width - wrap-over ² | e | 6.5 | | | | | | | | | | | | | | |
| Run-in length | l_x | 43 with 45 forks | | | | | | | | | | | | | | |
| Gangway (pallet: 47 x 31.5) | A_{st} | 86 ⁵ | | | 90 ⁵ | | | | | | | | | | | |
| Free lift | h_2 | | 13 | | | | | | | | | 7.5 | | | | |
| Turning angle of wheels | | 180° | | | | 180° | | | | | | | | | | |
| Pump motor | | 1,1 kW 12 V | | | | | | | | | | | | | | |
| Lifting speed | | normal/quick: 0.3" / 1" per pump | | | With/without load: 2 / 2.75" per sec. | | | | | | | | | | | |
| Lowering speed with/without load | | max. 2" per sec. / max. 2.8" per sec. | | | 4.75" per sec. / 2.75" per sec. | | | | | | | | 4.75" per sec. / 3" per sec. | | | |
| Weight in lbs (without battery) | | 485 lbs | 560 lbs | 525 lbs | 626 lbs | 507 lbs | 531 lbs | 545 lbs | 573 lbs | 595 lbs | 694 lbs | 712 lbs | 743 lbs | 860 lbs | | |

¹ This sheet shows our most popular Logiflex models. Other fork configurations are also available.
² For other fork styles go to p. 23.
³ Load reduction at large lifting height.
⁴ Maximum lifting height 63" with 23.5" forks, maximum lifting height 96" with 31.5" forks.
⁵ Reduced capacity 1650 lbs. Not available for 3000 lbs. models.
⁶ Tests show that 67" are enough.



PRODUCT
(measured in inch)

LFS MINI

LFS MINI

ELFS

ELFS

ELFS

ELFS

ELFS

ELFS

ELFS

ELFS

ELFS

ELFS

ELFS

SPECIFICATIONS - LOGIFLEX LFS MINI + ELFS

| | | | | | | | | | | | | | | | |
|---|-----------------|--|----------|-------------------------------------|--|---|----------|----------|-------------------------------|--|-----------------------------|-------------------------|-----------------------|-----------------------|--|
| Adjustable fork carriage ¹ | | ● | ● | ● | ● | ● | ● | ● | ● | ● | ● | ● | ● | ● | |
| Capacity in lbs | | 2200 lbs | 2200 lbs | 2200 lbs | 2200 lbs | 3000 lbs | 3000 lbs | 3000 lbs | 3000 lbs | 2200 lbs | 2200 lbs | 2200 lbs | 2200 lbs ³ | 2200 lbs ³ | |
| Lifting height forks: wrap-over/chisel | h ₃ | 35/34 | 64/63 | 35/34 | 64/63 | 35/34 | 46/45 | 54/53 | 62/61 | 74/73 | 79/78 | 95/94 | 111/110 | 129/128 | |
| Fork length | l | 23.5, 31.5, 42, 45, 60 ³ | | 23.5, 31.5, 42, 45, 60 ³ | | 42, 47 | | | 31.5, 42, 45, 60 ³ | | | 42, 45, 60 ³ | | | |
| Overall height | h ₁ | 52.5 | | 52.5 | | | 60 | 68 | 76 | 88 | 60 | 68 | 76 | 88 | |
| Overall width | b ₁ | 6.5 + b ₄ | | 6.5 + b ₄ | | | | | | | | | | | |
| Fork span min./max. - wrap-over ² | b ₅ | 13.8-22 | | 13.8-31.5 | | | | | | | | | | | |
| Fork span min./max. - chisel ² | b ₅ | 9-17 | | 9-26.8 | | | | | | | | | | | |
| Length without forks | l ₂ | 16.35 | | 23.25 | | | | | | | | | | | |
| Overall length with 45" forks | l ₁ | 66.25 | 66.75 | 73.5 | 73.5 | 73 | | | 73.5 | | | | | | |
| Telescopic mast | | | ● | | ● | | | | | | ● | ● | ● | ● | |
| Overall height | h ₄ | 52.25 | 79.75 | 52.25 | 79.75 | 79.75 | 60 | 68 | 76 | 88 | 98 | 113.75 | 129.5 | 147.25 | |
| Lowered height - wrap-over forks ² | h ₁₃ | 2.5 | | | | | | | | | | | | | |
| Lowered height - chisel forks ² | h ₁₃ | 1.5 | | | | | | | | | | | | | |
| Load centre | c | l/2 | | | | | | | | | | | | | |
| Width between legs | b ₄ | S: 33.5-37, M: 37-44.25, L: 44.25-51.5, XL: 49-56 ⁴ | | | | S: 33.5-37, 37, M: 37-44.25, L: 144.25-51.5 | | | | S: 33.5-37, 37, M: 37-44.25 ⁴ | | | | | |
| Fork width - wrap-over ² | e | 6.5 | | | | | | | | | | | | | |
| Fork width - chisel ² | | 4 | | | | | | | | | | | | | |
| Run-in length | l _x | 42.5 with 45 and 42 forks | | | 42.5 with 45 and 42 forks | | | | | | | | | | |
| Gangway | A _{st} | 86 (pallet: 47 x 31.5) ⁵ | | | 90 (pallet: 47 x 31.5) ⁵ | | | | | | | | | | |
| Free lift | h ₂ | | 330 | 330 | | | | | | | | | 7.5 | | |
| Turning angle of wheels | | 180° | | | 180° | | | | | | | | | | |
| Pump motor | | 1.1 kW 12 V | | | | | | | | | | | | | |
| Lifting speed | | Normal/quick: 0.3" / 1" per pump | | | With/without load: 2" / 2.75" per sec. | | | | | | | | | | |
| Lowering speed with/without load | | max. 2" per sec. / max. 2.8" per sec. | | | 4.75" per sec. / 2.75" per sec. | | | | | | 4.75" per sec. / 2" per sec | | | | |
| Weight in lbs (without battery) | | 628 lbs | 705 lbs | 622 lbs | 699 lbs | 622 lbs | 665 lbs | 677 lbs | 685 lbs | 703 lbs | 798 lbs | 813 lbs | 833 lbs | 941 lbs | |

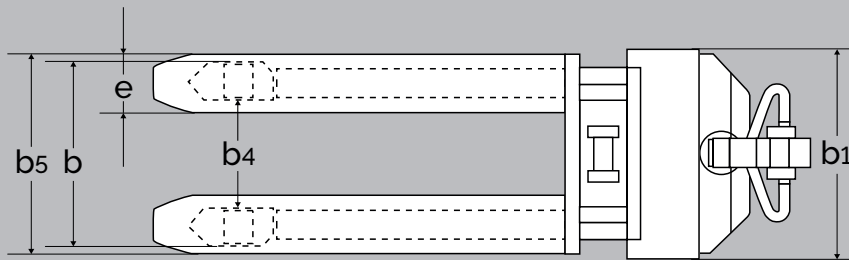
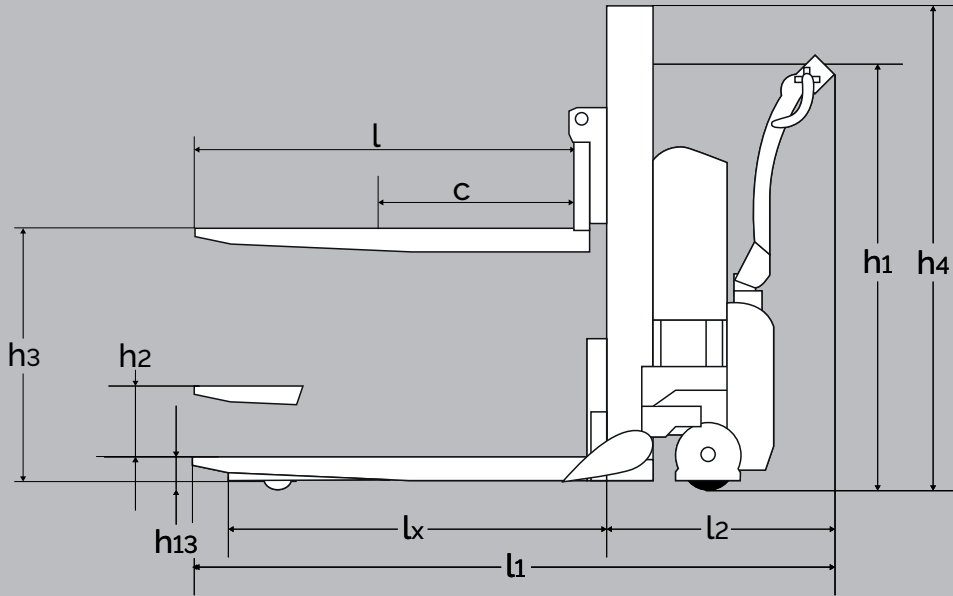
¹ This sheet shows our most popular Logiflex models. Other fork configurations are also available.

² For other fork styles go to p. 23.

³ Reduced capacity 1650 lbs.

⁴ Tests show that 67" is enough - depends on width between straddle legs.

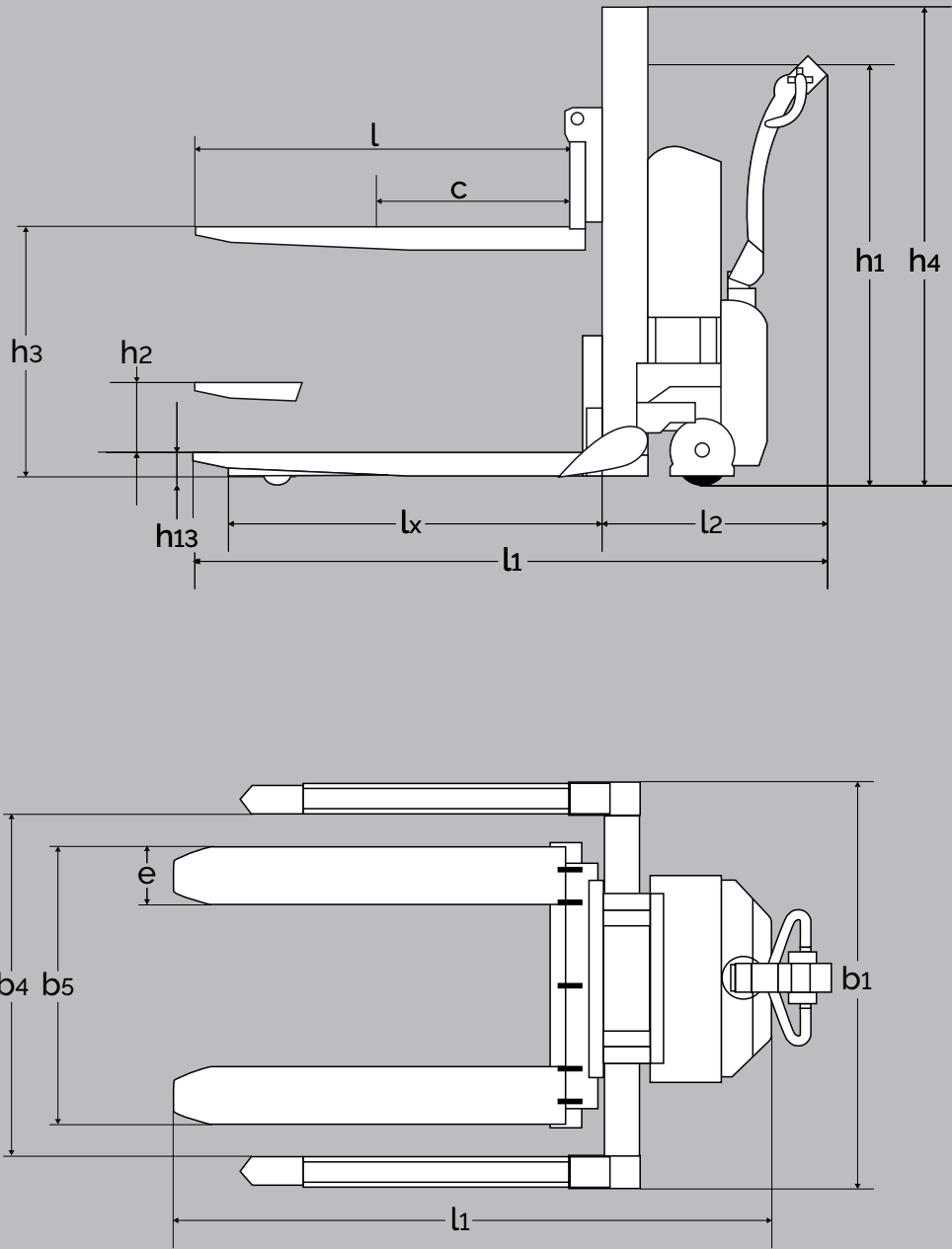
⁵ Width between straddle legs of more than 51.5": Max. capacity 1760 lbs. Fork length of 60" is not recommended.



| PRODUCT (measured in mm) | | SELF MINI | SELF MINI |
|---|----------|---|-----------|
| Adjustable fork carriage ¹ | | ● | ● |
| Fixed forks ¹ | | | |
| Capacity in lbs | | 2200 lbs | 2200 lbs |
| Lifting height with wrap-over forks | h_3 | 36 | 65 |
| Fork length | l | 42, 45 | |
| Overall height | h_1 | 52 | 53 |
| Overall width | b_1 | 25 | 25 |
| Fork span - wrap-over ² | b_5 | 13.8-22 | |
| Length without forks | l_2 | 24 | 24.75 |
| Overall length with 1150 forks | l_1 | 71.85 | 72.25 |
| Telescopic mast | | | ● |
| Overall height | h_4 | 52 | 79.75 |
| Lowered height - wrap-over forks ² | h_{13} | 3.5 | |
| Load centre | c | L/2 | |
| Width between legs: | b_4 | 12.45, 17.20 | |
| Fork width - wrap-over forks ² | e | 6.5 | |
| Run-in length | l_x | 43 with 45" forks | |
| Gangway (pallet: 1200 x 800) | A_{st} | 86.5 - tests show that 67" are enough - depends on b_4 | |
| Free lift | h_2 | | 13 |
| Turning angle of wheels | | 210° | |
| Motor | | 0.7 kW 24 V speed control electronically variable | |
| Driving speed with/without load | | Below 19.5" lift: 3.2/3.4 mph, over 19.5" lift: 1.8/2.4 mph | |
| Pump motor | | 1.2 kW 24 V | |
| Lifting speed with/without load | | 2.75"/4.75" per sec | |
| Lowering speed with/without load | | 4.75"/2.75" per sec | |
| Weight in lbs (without battery): | | 679 lbs | 799 lbs |

¹ This sheet shows our most popular Logiflex models. Other fork configurations are also available.

² For other fork styles go to p. 23.



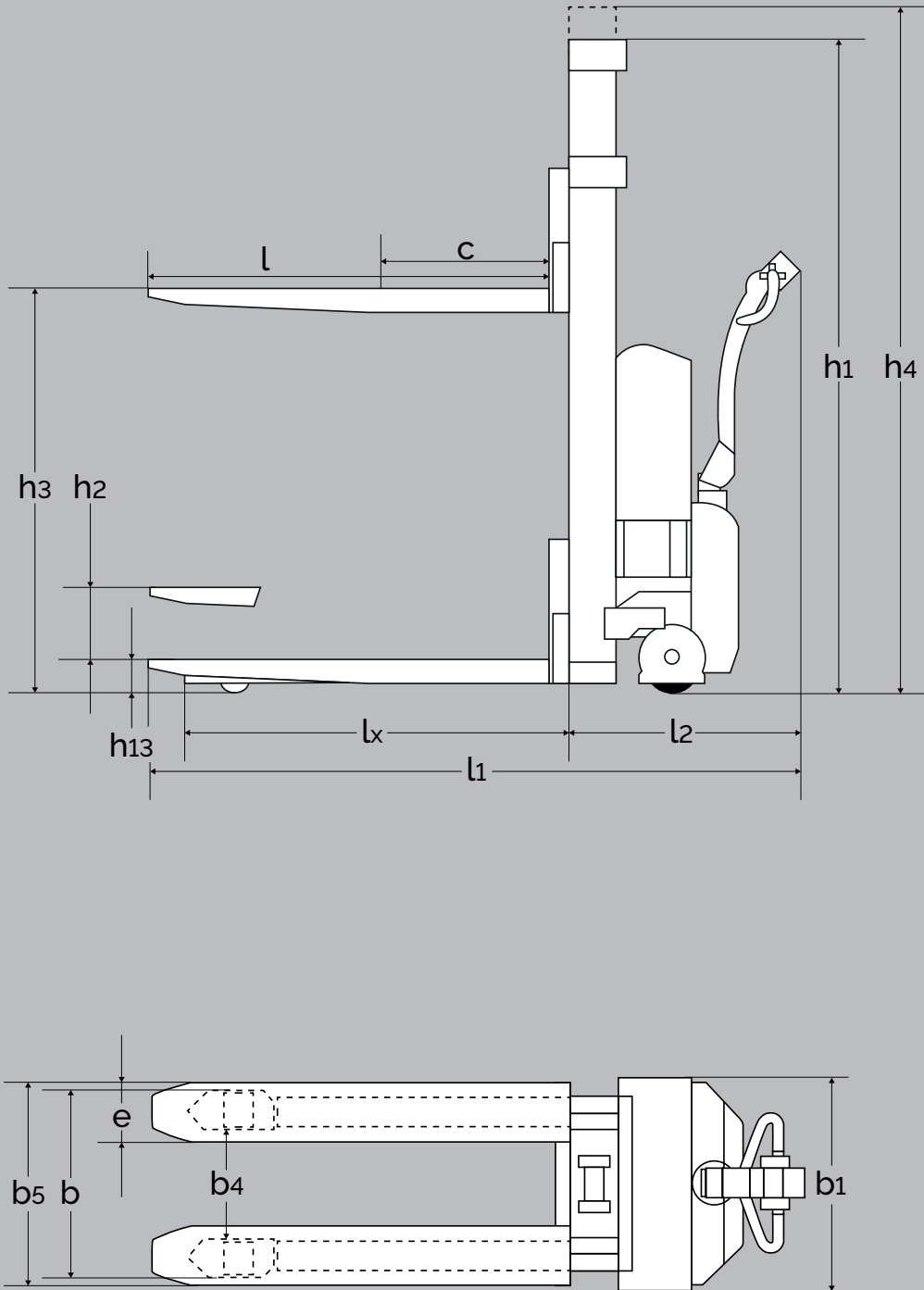
| PRODUCT (measured in inch) | | SELS MINI | SELS MINI |
|---|----------|---|-----------|
| Adjustable fork carriage ¹ | | ● | ● |
| Capacity in lbs | | 2200 lbs | 2200 lbs |
| Lifting height with wrap-over forks | h_3 | 35 | 63.75 |
| Fork length | l | 23.5/31.5/42/45/60 ³ | |
| Overall height | h_1 | 52 | 53 |
| Overall width | b_1 | $6.5 + b_4$ | |
| Fork span - wrap-over ² | b_5 | 13.8-31.5 | |
| Fork span - chisel ² | b_5 | 9-26.8 | |
| Length without forks | l_2 | 24 | 24.75 |
| Overall length with 45 forks | l_1 | 71.85 | 72.25 |
| Telescopic mast | | | ● |
| Overall height | h_4 | 52 | 78.5 |
| Lowered height - wrap-over forks ² | h_{13} | 2.5 | |
| Lowered height - chisel ² | h_{13} | 1.5 | |
| Load centre | c | $l/2$ | |
| Width between legs: | b_4 | 33.5-37, 37-44.25, 44.25-51.5, 49-56 ⁴ | |
| Fork width - wrap-over ² | e | 6.5 | |
| Fork width - chisel forks ² | | 4 | |
| Run-in length | l_x | 42.5 with 45" forks | |
| Gangway (pallet: 47 x 31.5) | A_{st} | 86.5 - tests show that 67" are enough - depends on b_4 | |
| Free lift | h_2 | | 13 |
| Turning angle of wheels | | 210° | |
| Motor | | 0,7 kW 24 V speed control electronically variable | |
| Driving speed with/without load | | Below 19.5" lift: 3.2/3.4 mph, over 19.5" lift: 1.8/2.4 mph | |
| Pump motor | | 1,2 kW 24 V | |
| Lifting speed with/without load | | 2.75"/4.75" per sec | |
| Lowering speed with/without load | | 4.75"/2.75" per sec | |
| Weight in lbs (without battery): | | 766 lbs | 887 lbs |

¹ This sheet shows our most popular Logiflex models. Other fork configurations are also available.

² For other fork styles go to p. 23.

³ Reduced capacity 1650 lbs.

⁴ Width between straddle legs of more than 51.5": Max. capacity 1760 lbs.
Fork length of 60" is not recommended.



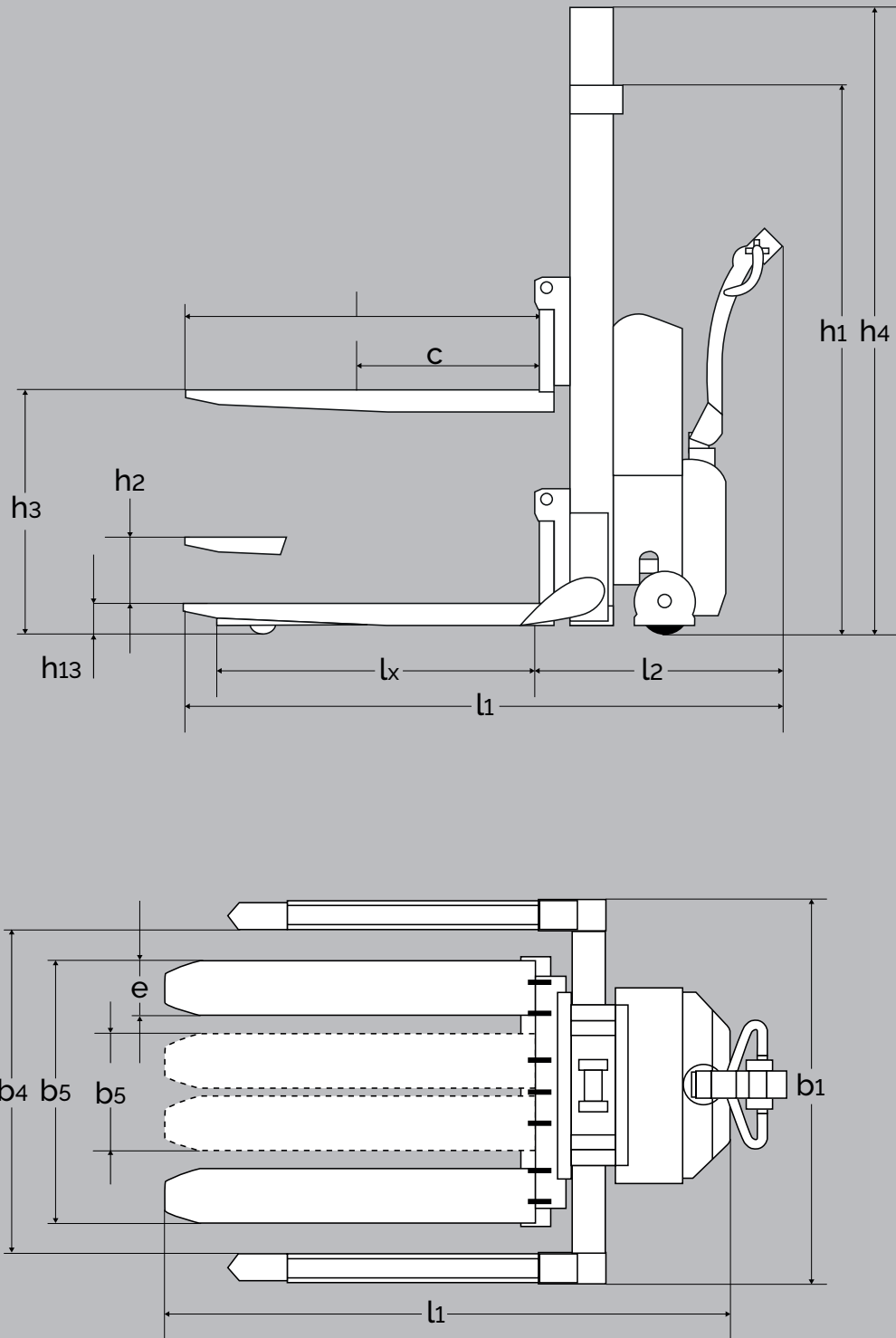
| PRODUCT (measured in inch) | | SELF MAXI | SELF MAXI | SELF MAXI | SELF MAXI | SELF MAXI | SELF MAXI | SELF MAXI | SELF MAXI | SELF MAXI | SELF MAXI | |
|--|----------|---|--------------|--------------|--------------|--------------|----------------------------|-----------------------|--------------|-----------------------|-----------------------|--|
| Fixed forks | | ● | ● | ● | ● | ● | ● | ● | ● | ● | ● | |
| Capacity in lbs | | 3000 lbs | 3000 lbs | 3000 lbs | 3000 lbs | 2200 lbs | 2200 lbs | 2200 lbs ³ | 2200 lbs | 2200 lbs ³ | 2200 lbs ³ | |
| Lifting height with wrap-over forks | h_3 | 36 | 47 | 55 | 63 | 75 | 80 | 96 | 96 | 112 | 130 | |
| Fork length | l | 23.5 ⁴ , 31.5 ⁴ , 45, 60 ⁵ | | | | | | | | | | |
| Overall height | h_1 | 52 | 60 | 68 | 76 | 88 | 60 | 68 | 68 | 76 | 88 | |
| Chassis span | b | 22, 27 | | | | | | | | | | |
| Overall width | b_1 | 25 | | | | | | 35 | | | | |
| Width between legs | b_4 | 12.45, 17.20 | | | | | | | | | | |
| Fork span - wrap-over | b_5 | 22, 27 | | | | | | | | | | |
| Length without forks | l_2 | 23.85 | | | | | | | | | | |
| Overall length with 45 forks | l_1 | 71.65 | | | | | 72.05 | | | | | |
| Telescopic mast | | | | | | | ● | ● | ● | ● | ● | |
| Overall height | h_4 | Without telescopic mast | | | | | 98 | 114 | 114 | 130 | 148 | |
| Lowered height - wrap-over forks | h_{13} | 3.5 | | | | | | | | | | |
| Load centre | c | L/2 | | | | | | | | | | |
| Fork width - wrap-over | e | 6.5 | | | | | | | | | | |
| Run-in length | l_x | 43.31 with 45 forks | | | | | | | | | | |
| Gangway (w/pallet: 47 x 31.5) | A_{st} | 86.5" - tests show that 67" are enough | | | | | | | | | | |
| Free lift | h_2 | | | | | | 190 | | | | | |
| Turning angle of wheels | | 210° | | | | | | | | | | |
| Motor | | 1.2 kW 24 V speed control electronically variable | | | | | | | | | | |
| Driving speed with/without load | | Below 19.5" lift: 3.1/3.7 mph, over 19.5" lift: 1.8/2.4 mph | | | | | | | | | | |
| Pump motor | | 1.2 kW 24 V | | | | | | | | | | |
| Lifting speed with/without load | | Cap. 2200 lbs.: 2.75" per sec./4.75" per sec., cap. 3000 lbs.: 1.5" per sec./2.75" per sec. | | | | | | | | | | |
| Lowering speed with/without load | | 4.75" per sec./2.75" per sec | | | | | 4.75" per sec./3" per sec. | | | | | |
| Weight lbs (no battery): Cap. 2200/3000 lbs | | 772 lbs | 815 lbs | 829 lbs | 838 lbs | 855 lbs | 950 lbs | 966 lbs | 981 lbs | 1000 lbs | 1032 lbs | |

³ Load reduction at large lifting height.

⁴ Maximum lifting height 63" with 23.5" forks, maximum lifting height 96" with 31.5" forks.

⁵ Reduced capacity 1650 lbs. Not available for 3000 lbs. models.

⁶ Only for 2200 lbs. models.



| PRODUCT (measured in inch) | | SELS MAXI | SELS MAXI | SELS MAXI | SELS MAXI | SELS MAXI | SELS MAXI | SELS MAXI | SELS MAXI | SELS MAXI | |
|--|----------|--|-----------------------|-----------------------|-----------------------|--------------|----------------------------|--------------|--------------|--------------|--|
| Adjustable fork carriage ¹ | | ● | ● | ● | ● | ● | ● | ● | ● | ● | |
| Capacity in lbs | | 3000 lbs ³ | 3000 lbs ³ | 3000 lbs ³ | 3000 lbs ³ | 2200 lbs | 2200 lbs | 2200 lbs | 2200 lbs | 2200 lbs | |
| Lifting height forks: Wrap-over/chisel | h_3 | 35/34 | 46/45 | 54/53 | 62/61 | 74/73 | 79/78 | 95/94 | 111/110 | 129/128 | |
| Fork length | l | 23.5 ⁴ , 31.5 ⁴ , 42, 60 ⁵ | | | | | | | | | |
| Overall height | h_1 | 52 | 60 | 68 | 76 | 88 | 60 | 68 | 76 | 88 | |
| Overall width | b_1 | 6.5 + b_4 | | | | | | | | | |
| Fork span min./max. - wrap-over ² | b_5 | 13.8-31.5 | | | | | | | | | |
| Fork span min./max. - chisel ² | | 10.25-26.8 | | | | | | | | | |
| Length without forks | l_2 | 27,95 | | | | | | | | | |
| Overall length by 1150 forks | l_1 | 73 | | | | | 73.5 | | | | |
| Telescopic mast | | | | | | | ● | ● | ● | ● | |
| Overall height | h_4 | Without telescopic mast | | | | | 98 | 114 | 130 | 148 | |
| Lowered height - wrap-over forks ² | h_{13} | 2.5 | | | | | | | | | |
| Lowered height - chisel ² | | 1.5 | | | | | | | | | |
| Load centre | c | 1/2 | | | | | | | | | |
| Width between legs: Cap. 2200/3000 lbs | b_4 | S: 33.5-37, M: 37-44.25, L: 44.25-51.5, XL: 49-56 ⁶ / S: 33.5-37, M: 37-44.25, L: 44.25-51.5 | | | | | | | | | |
| Fork width - wrap-over ² | e | 6.5 | | | | | | | | | |
| Fork width - chisel ² | | 4 | | | | | | | | | |
| Run-in length | l_x | 37.8 with 45 and 42 forks | | | | | | | | | |
| Gangway (pallet: 1200 x 800) | A_{st} | 86.5" - tests show that 67" are enough - depends on width between straddle legs | | | | | | | | | |
| Free lift | h_2 | | | | | | 7.5 | | | | |
| Turning angle of wheels | | 210° | | | | | | | | | |
| Driving motor | | 1.2 kW 24 V speed control electronically variable | | | | | | | | | |
| Driving speed with/without load | | Below 19.5" lift: 3.1/3.7 mph, over 19.5" lift: 1.8/2.4 mph | | | | | | | | | |
| Pump motor | | 1.2 kW 24 V | | | | | | | | | |
| Lifting speed with/without load | | Cap. 2200 lbs.: 2.75" per sec. /4.75" per sec., cap. 3000 lbs.: 1.5" per sec. /2.75" per sec | | | | | | | | | |
| Lowering speed with/without load | | 4.75"/2.75" per sec | | | | | 4.75" per sec. /3" per sec | | | | |
| Weight in lbs (no battery): | | 904 lbs | 946 lbs | 961 lbs | 970 lbs | 987 lbs | 1082 lbs | 1098 lbs | 1118 lbs | 1149 lbs | |

¹ This sheet shows our most popular Logiflex models. Other fork configurations are also available.

² For other fork styles go to p. 23.

³ 3300 lbs models are available with fork length options: Chisel forks: 42" and 47", wrap-over forks: 42" and 45".

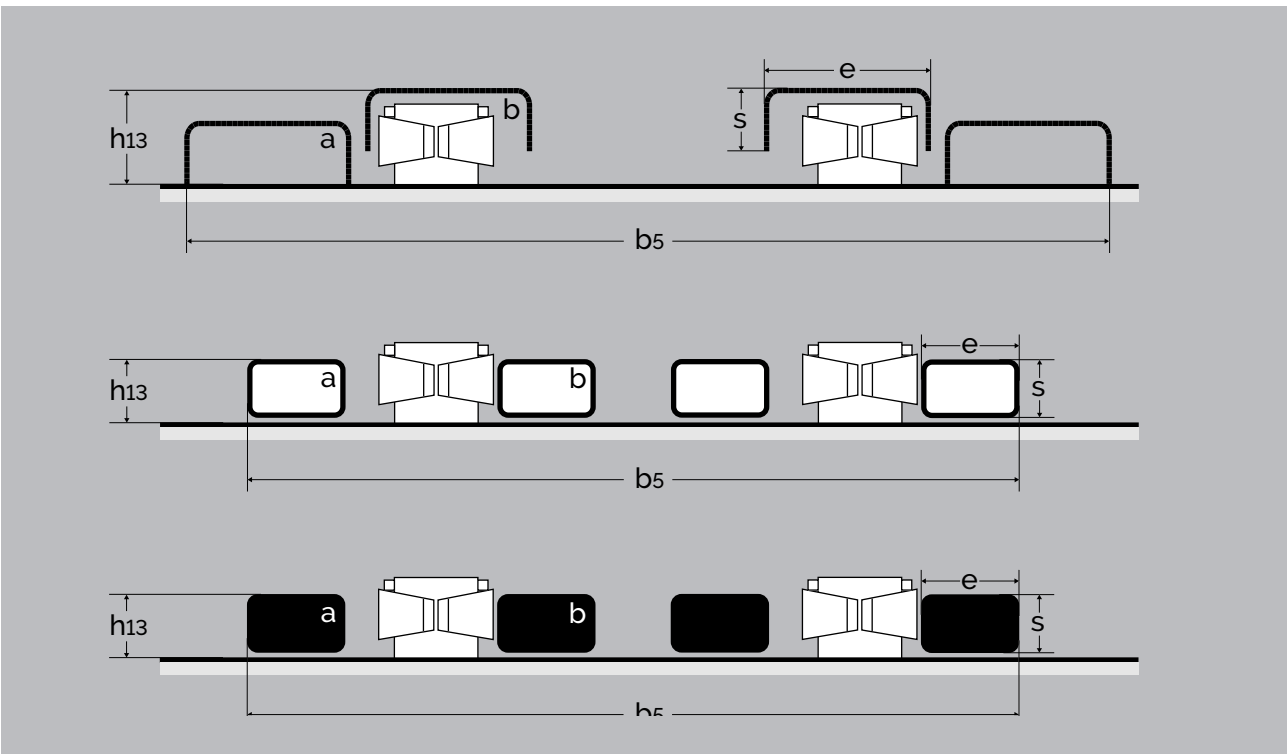
⁴ Maximum lifting height 62" with 23.5" forks, maximum lifting height 95" with 31.5" forks. .

⁵ Reduced capacity 1650 lbs.

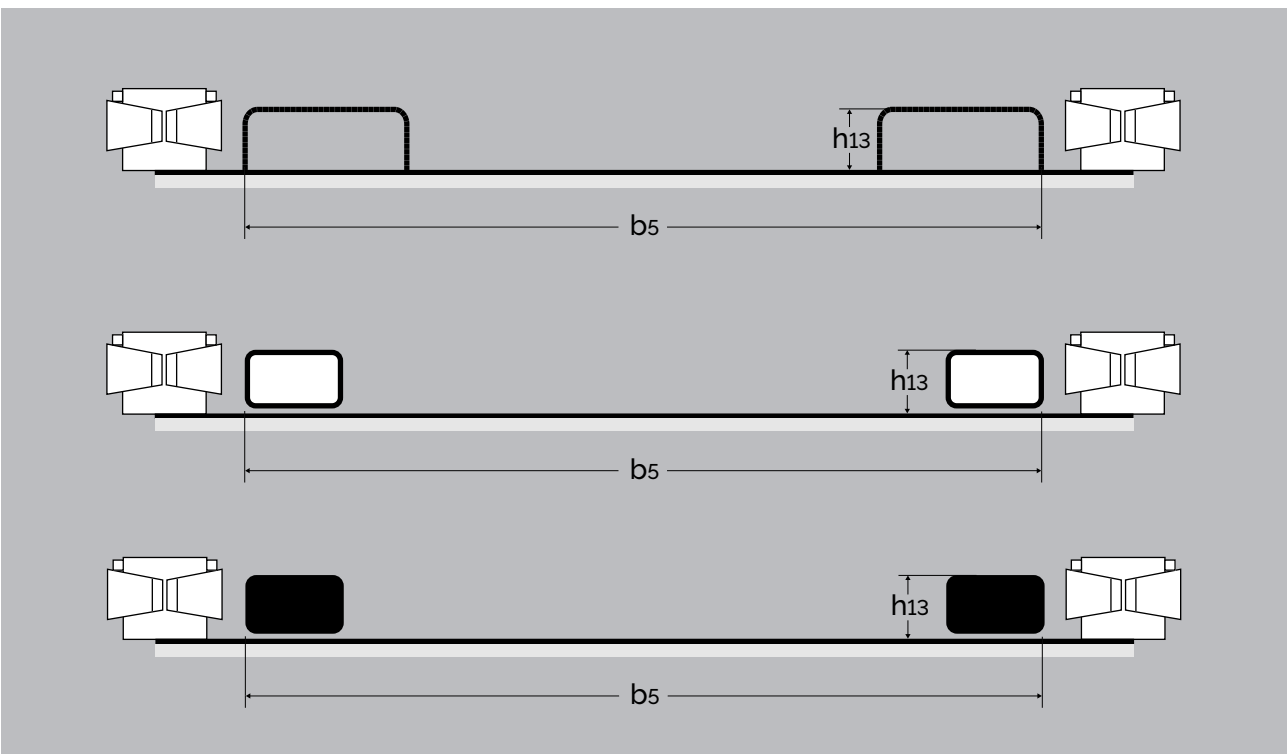
⁶ Width between straddle legs of more than 51.5"







Max. capacity 1760 lbs. Fork length of 60" is not recommended.







WITHOUT STRADDLE



WITH STRADDLE



| PRODUCT (measured in inch) | | FORK CARRIAGE 17" ¹ | | | FORK CARRIAGE 27" ² | | |
|-------------------------------------|-----------------|--|--|---|--|--|---|
| Fork style | | Wrap-over  | Bar  | Chisel  | Wrap-over  | Bar  | Chisel  |
| Size of wheel | | Ø3.25 | | | Ø3.25 | | |
| Fork span | b _s | 14-22 | 9-17 | 9-17 | 14-31.5 | 9-27 | 9-27 |
| Fork span - a | b _s | | | | | | |
| Fork span - b | b _s | 22 | 9-11.75 | 9-11.75 | 22 | 9-11.75 | 9-11.75 |
| Lowered fork height - straddle legs | h ₁₃ | 3.25 | 3.25 | 2.36 | 2.5 | 2.5 | 1.5 |
| Lowered fork height - a | h ₁₃ | | | | | | |
| Lowered fork height - b | h ₁₃ | 3.5 | 3.25 | 2.36 | 3.5 | 2.5 | 1.5 |
| Fork width | e | 6.5 | 4 | 4 | 6.5 | 4 | 4 |
| Fork height | s | 2.5 | 2.4 | 1.4 | 2.5 | 2.4 | 1.4 |

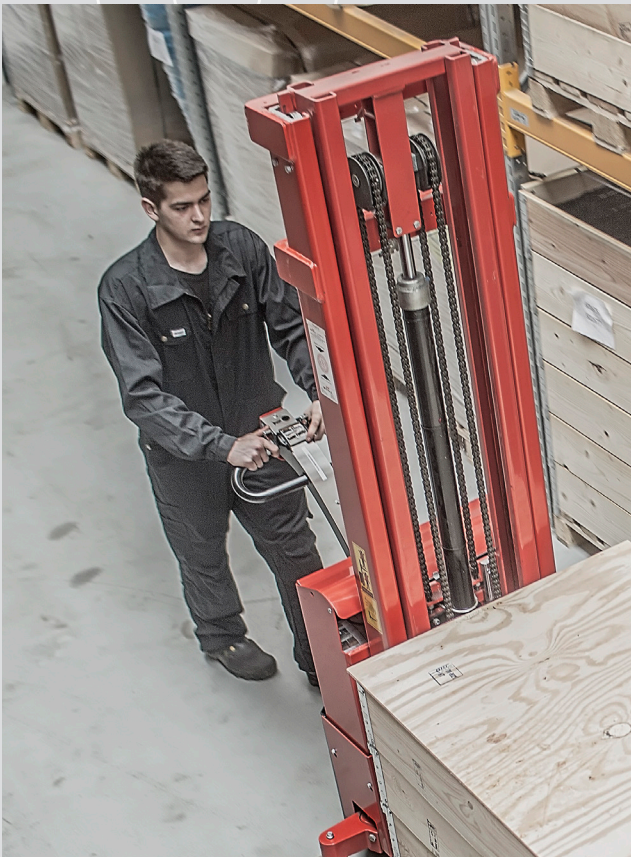
| PRODUCT (measured in inch) | | FORK CARRIAGE 32" ³ | | | FORK CARRIAGE 37" | | |
|-------------------------------------|-----------------|--|--|---|---|--|---|
| Fork style | | Wrap-over  | Bar  | Chisel  | Wrapover  | Bar  | Chisel  |
| Size of wheel | | Ø3.25 | | | Ø3.25 | | |
| Fork span | b _s | 14-36 | 9-31.5 | 9-31.5 | 20.75-41.35 | 16.5-36.75 | 16.5-36.75 |
| Fork span - a | b _s | 34.5-36 | 29.5-31.5 | 29.5-31.5 | 34.5-41.35 | 29.5-36.75 | 29.5-36.75 |
| Fork span - b | b _s | 22 | 9-11.75 | 9-11.75 | 22 | | |
| Lowered fork height - straddle legs | h ₁₃ | 2.5 | 2.5 | 1.5 | 2.5 | 2.5 | 1.5 |
| Lowered fork height - a | h ₁₃ | 2.5 | 2.5 | 1.5 | 2.5 | 2.5 | 1.5 |
| Lowered fork height - b | h ₁₃ | 3.5 | 2.5 | 1.5 | | | |
| Fork width | e | 6.5 | 4 | 4 | 6.5 | 4 | 4 |
| Fork height | s | 2.5 | 2.4 | 1.4 | 2.5 | 2.4 | 1.4 |

¹ Standard carriage for LF MINI and ELF with capacity 2200 lbs and lifting height 36 and 65 inches.

² Standard carriage for Logiflex straddle stackers with wrap-over forks.

³ Standard carriage for Logiflex straddle stackers with bar and chisel forks.

Standard carriage for Logiflex stackers without straddle legs (but fork carriage 17" for LF MINI and ELF with capacity 2200 lbs and lifting height 36 and 65 inches).



Quality **Ergonomic** Lifting Equipment

Logitrans US Inc

(888) 345-1270

sales@logitrans.com

www.logitrans.com

