

Fully powered Logiflex SELF Maxi - makes work go smoothly

High flexibility and efficiency - the fully powered Logiflex Maxi can transport, handle and lift different goods.

The design puts focus on the safety and ergonomic working conditions of the user - Logiflex Maxi can be adjusted to the individual user, and the ergonomic correct handle ensures the user a relaxed hold.

No damage to surroundings, pallets and goods. Logiflex Maxi has an elegant design with rounded corners.

High quality is ensured through an extended test program and in cooperation with experts in Health and Safety.



Technical Specifications

The fully powered SELF Maxi has optimum driving qualities and maneuverability even in the most confined areas.

High performance with AC technology

- Easy setting of e.g. driving speed, acceleration and deceleration
- Long operating time per charge



Possible to operate with the handle upright. Central location of all control buttons.



Adjustable forks are available as optional extra in many different lengths and types.



Available with Rotator and/or optional extras, e.g. crane arm, drum turner, remote control and level control.

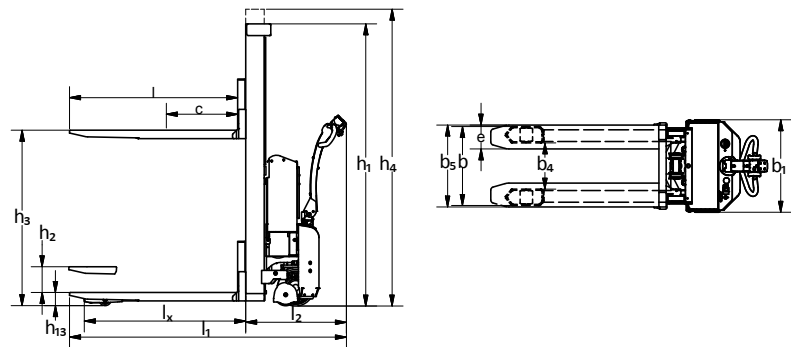
Strong construction ensures a long operating life and low maintenance costs.

Product (measured in inch)	SELF MAXI	SELF MAXI	SELF MAXI	SELF MAXI	SELF MAXI	SELF MAXI	SELF MAXI	SELF MAXI	SELF MAXI	SELF MAXI	
Capacity in lbs.	2200/3000	2200/3000	2200/3000	2200/3000	2200	2200	2200*	2200	2200*	2200*	
Lifting height with wrap-over forks	h_3	36	47	55	63	75	80	96	96	112	
Fork length	l	23.5**, 31.5**, 45, 60***									
Overall height	h_1	52	60	68	76	88	60	68	68	76	
Chassis span	b	18.15, 21.25, 26	21.25, 26								
Overall width	b_1	25							35		
Width between legs	b_4	9.30, 12.45, 17.20					12.45, 17.20				
Fork span	b_5	19****, 22, 27	22, 27								
Length without forks	l_2	23.85									
Overall length with 45 forks	l_1	69					69.5				
Overall height	h_4	Without telescopic mast					98	114	114	130	148
Lowered height, forks	h_{13}	3.5									
Load centre	c	$l/2$									
Fork width	e	6.5									
Run-in length	l_x	40.95 with 45 forks									
Gangway (w/pallet: 47 x 31.5)	A_{st}	86.5" - tests show that 67" are enough									
Free lift	h_2							7.5			
Turning angle of the wheels		210°									
Motor		1,2 kW 24 V speed control electronically variable									
Driving speed with/without load		Below 19.5" lift: 5/6 km/h, over 19.5" lift: 3/4 km/h									
Pump motor		1,2 kW 24 V									
Lifting speed with/without load		Cap. 2200 lbs.: 2.75" per sec./4.75" per sec., cap. 3000 lbs.: 1.5" per sec./2.75" per sec.									
Lowering speed with/without load		4.75" per sec./2.75" per sec.					4.75" per sec./3" per sec.				
Weight lbs. (no battery): Cap. 2200/3000 lbs.		772	815	829	838	855	950	966	981	1000	

* Load reduction at large lifting height.
 ** Maximum lifting height 63" with 23.5" forks, maximum lifting height 96" with 31.5" forks.
 *** Reduced capacity 1650 lbs. Not available for 3000 lbs. models.
 **** Only for 2200 lbs. models.



Optimum safety through transparent and impact-resistant safety screen and reduced driving speed in raised position.



We also offer tailor-made solutions.
 Please ask for further information or visit www.interthor.com